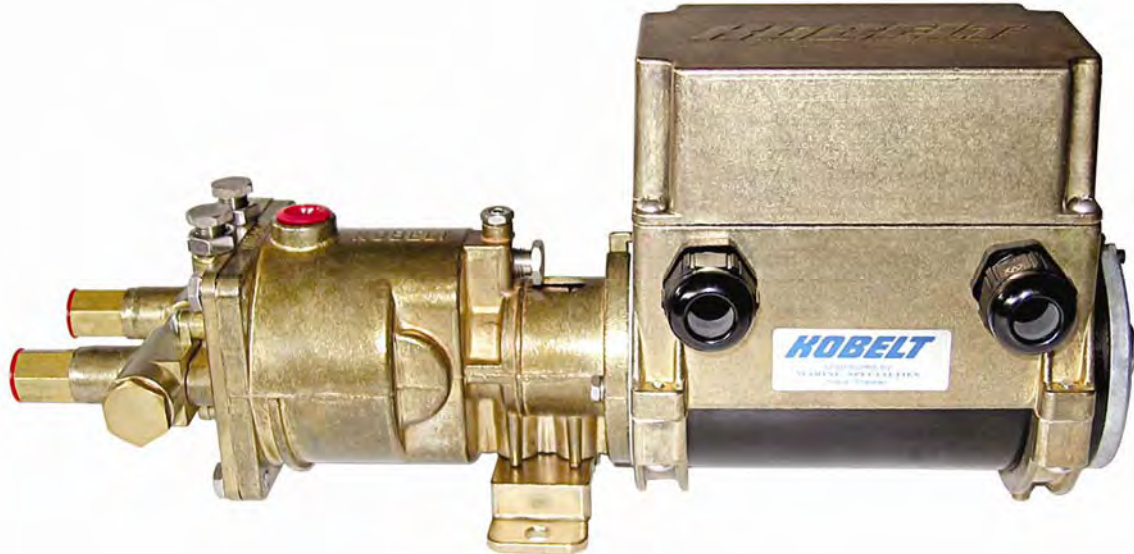


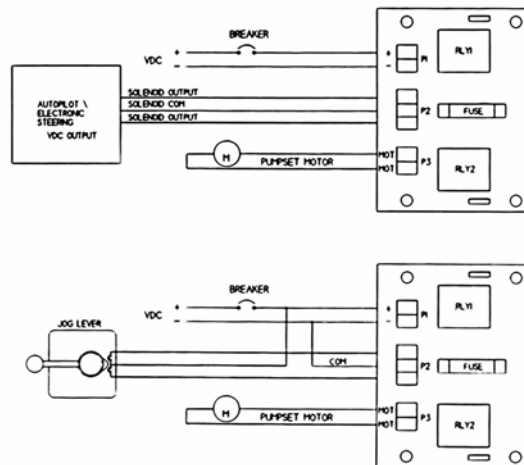
**Model 7201-PR Autopilot  
Pump with Relays**



The Kobelt 7201 Auto Pilot Hydraulic Pump is available integrated with control PC board. The relays on the board are capable of handling a 30 amp current for either rotation. A fuse is provided for maximum motor load at 30 amps. This based on the 12 volt motor. For a 24 volt motor the maximum load is 15 amps and the fuse is installed accordingly. The centre terminal block is for the directional control circuit and the other blocks are for the power in and power to the motor. The motor leads are located internally in the housing.

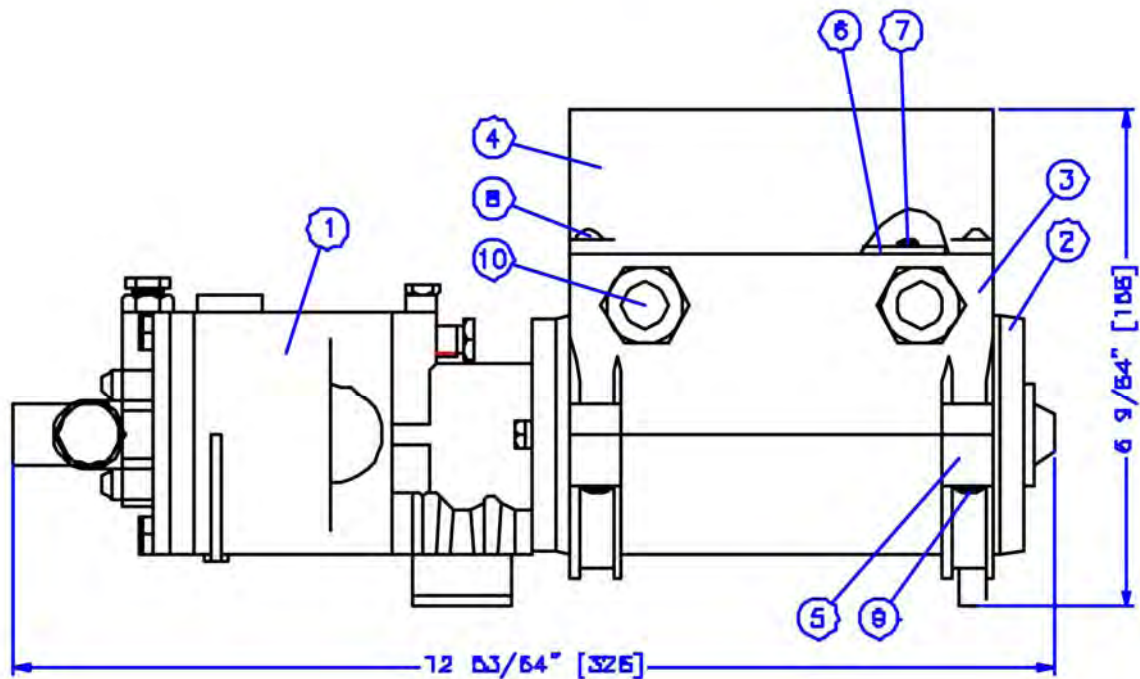
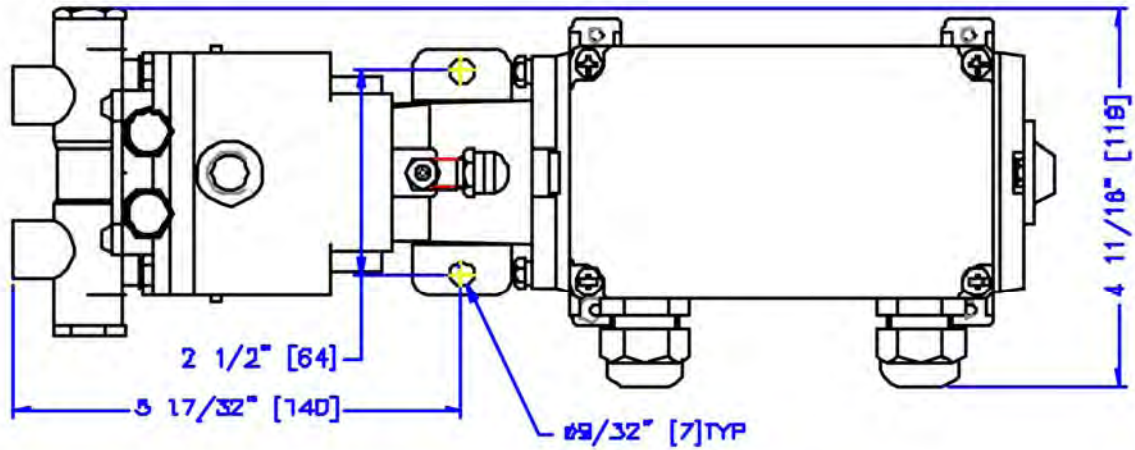
To order this unit with the reversing relays, the part number is 7201-PR12 (12 volt), or 7201-PR24 (24 volt)

Please specify 12 or 24 volt.



**PLEASE NOTE:**  
**PUMP, RELAY & AUTOPILOT  
SHOULD BE THE SAME VOLTAGE**

## Dimensions and Parts



All Dimensions in inches (mm)

ITEM	QUANTITY	PART NUMBER	DESCRIPTION
1	1	7201	Autopilot Hydraulic Pump
2	1*	7201-12MT	Electric Motor 12V
2	1*	7201-24MT	Electric Motor 24V
3	1	7201-0110	Board Mount & Enclosure
4	1	7201-0111	Cover
5	2	7201-0112	Bracket
6	1	7201-1011	Circuit Board
7	4	1012-0604	Pan Hd. Philips M. Screw
8	4	1012-0806	Pan Hd. Philips M. Screw
9	4	1012-0816	Pan Hd. Philips M. Screw
10	2	6001-0248	Connection Gland