

Model 7033 Outboard Motor Steering Cylinder



The Model 7033 outboard motor steering cylinder was designed to be attached directly onto the late model outboard motor brackets. The draglink provided is used to connect the cylinder rod onto the motor tiller arm with stainless steel shoulder bolts. The swiveling arrangement between the cylinder and the mounting bracket allows the cylinder to be raised or lowered to suit the height of the tiller arm. The cylinder is of extreme heavy duty construction, made entirely of bronze, brass and stainless steel and will handle 300 horsepower motors.

Since the cylinder bolts directly onto the outboard motor bracket, the cylinder itself is supported by the motor and swivels with the motor when the motor is raised or lowered and therefore takes all the stress away on the draglink since the draglink now is primarily only rotating the motor.

This cylinder is ideally suited for all heavy duty outboard motor applications. The standard stroke is 7 1/2". Upon special request, any stroke length is available. This cylinder can also be ordered epoxy coated finish.

Standard Stroke

7 1/2"

Piston Rod

3/4" stainless steel, hard chromed

Effective Piston Area

1.32 in.²

Cylinder I.D.

1 1/2"

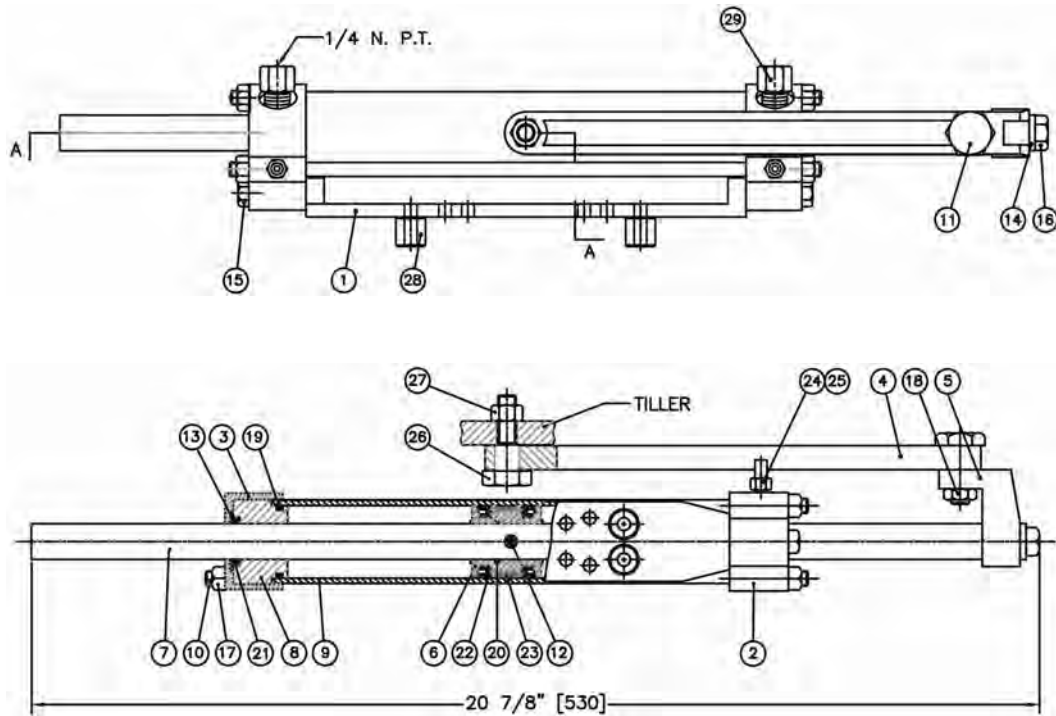
Standard Volume

9.9 in.³

Weight

11 lbs. (5 kg.)

Dimensions and Parts



ALL DIMENSIONS IN INCHES (MM)

ITEM	QUANTITY	PART NUMBER	DESCRIPTION
1	1	7033-0001	Support Bracket
2	1	7033-0002	End Cap
3	1	7033-0003	End Cap
4	1	7033-0004	Tiller Arm
5	1	7033-0005	Tiller Link Bracket
6	1	7033-0006	Piston
7	1	7033-0007	Piston Rod
8	2	7033-0008	Shaft Guide
9	1	7033-0009	Tube
10	2	7033-0010	Tie Rod
11	1	7033-0011	Shoulder Bolt
12	1	7040-0012	Pin
13	2	7033-0013	Retainer
14	1	7033-0014	Washer
15	2	1001-1128	Hex. Head Cap Screw
16	1	1001-1328	Hex. Head Cap Screw
17	4	1022-0311	Hex. Lock Nut
18	1	1022-0262	Hex. Jam Nut
19	2	1101-0125	"O" Ring
20	1	1101-0016	"O" Ring
21	2	1102-2027	"U" Cup
22	2	1102-0026	"U" Cup
23	1	7040-0013	Wear Ring
24	2	7040-0011	Bleeder Screw
25	2	1301-0005	Ball 5/32"
26	1	7033-1011	Shoulder Bolt
27	1	1022-1312	Lock Nut
28	4	7033-0015	Spacer
29	2	7032-0017	Adapter