

**Model 7005-AL, 2-6 in.³
Variable Delivery Helm Pump**



This pump features adjustable volume in a compact design. Adjustment from 2-6 cubic inches per turn is easily accomplished from the outside.

A ball bearing and two thrust bearings provide smooth operation and long life. A lock valve installed on the back of the helm pump prevents rudder feedback and also allows installation of multiple control stations.

This pump has a natural bronze finish with a long straight shaft however it can also be ordered in a black epoxy finish and/or with a long or short tapered shaft.

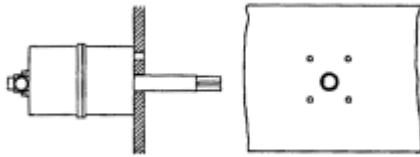
Ordering Information

Model Designations:

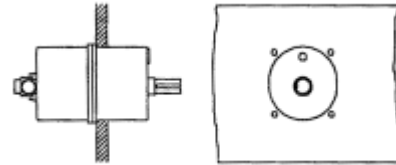
A	With cast bronze finish (Standard)	N	With short shaft (for through console mount)
B	With black epoxy finish	P	With porting block only (no lock valve)
L	With long shaft (for behind console mount)	T	With tapering shaft

Model 7005 2-6in3 Variable Delivery Helm Pump

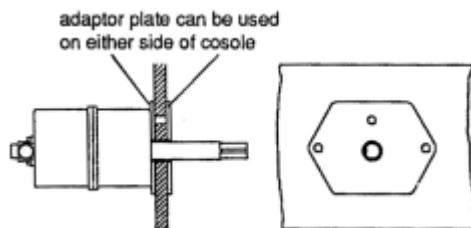
Behind console installation with long shaft



Through console installation with short shaft



Installation with adapter plate



Note

An adapter plate to simplify installation of the helm pump is available. It can be installed on either side of the console.

Ordering Numbers

7005-0011A Cast Bronze Finish

7005-0011B Black Epoxy Finish

Weight

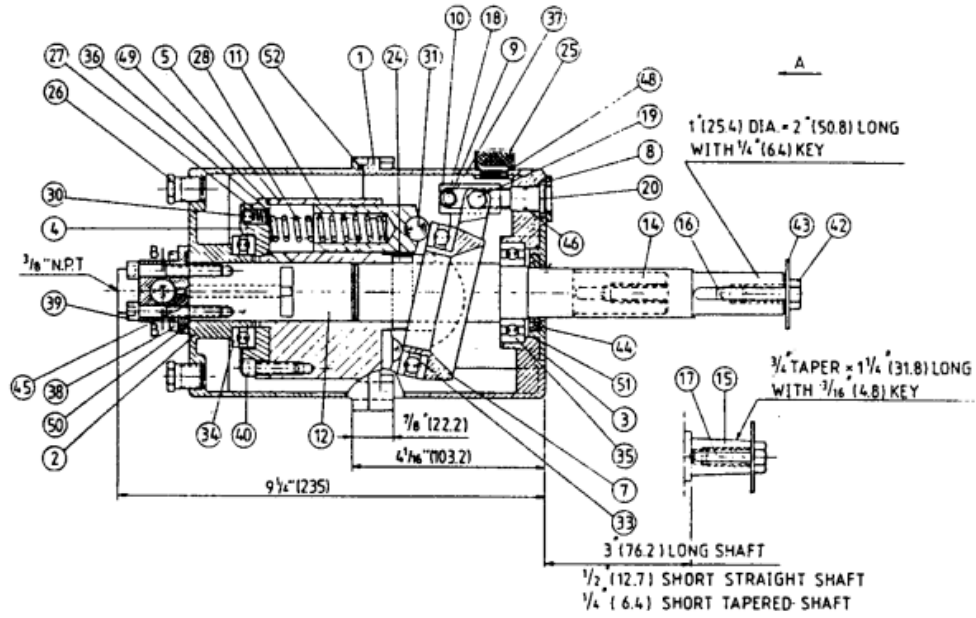
23 lbs. (10.4 kg)

Materials

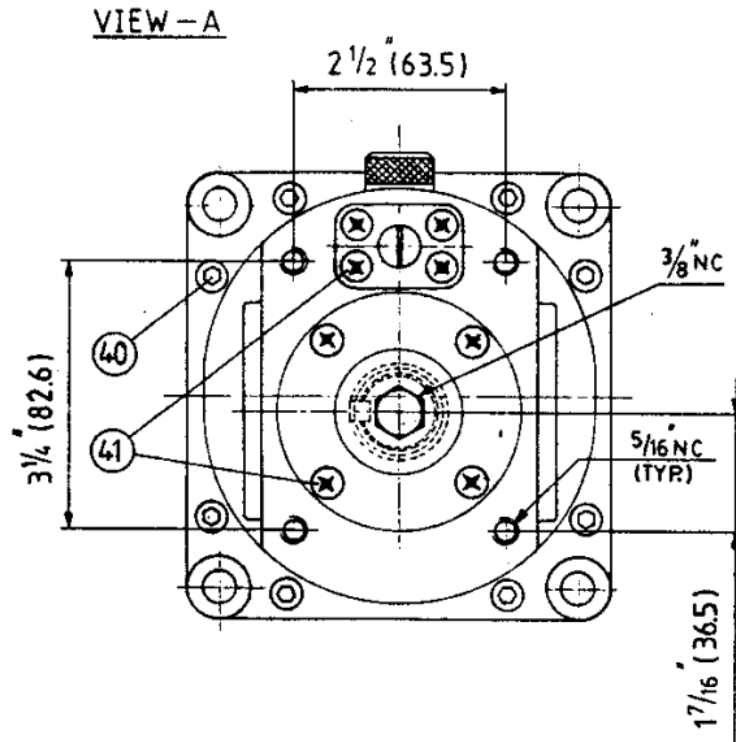
Housing and rotor are die-cast silicon bronze. Pistons and pintol are hardened and ground steel. Pump shaft and hardware are stainless steel.

Dimensions and Parts

Side View

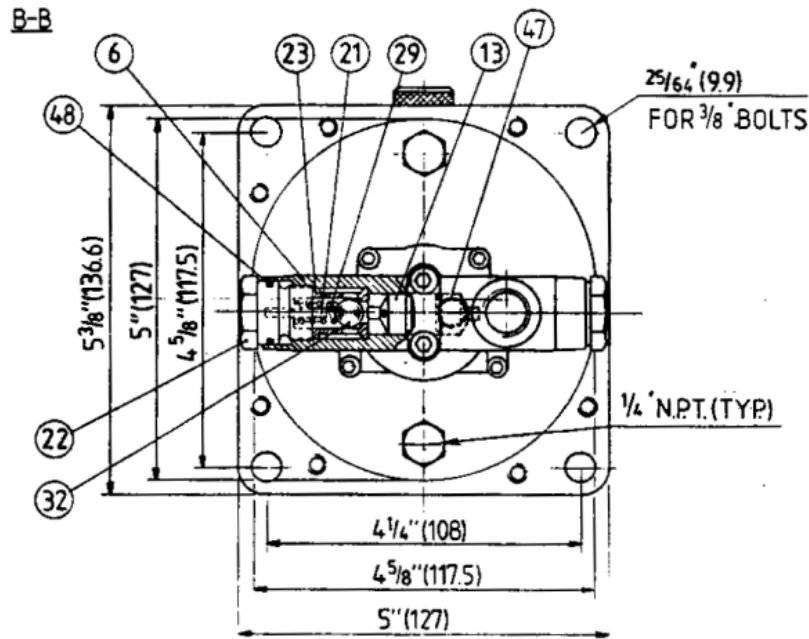


Front View



Model 7005 2-6in3 Variable Delivery Helm Pump

Back View



ALL DIMENSIONS IN INCHES (MM)

ITEM	QUANTITY	PART NUMBER	DESCRIPTION
1	1	7005-0001	Front Housing
2	1	7005-0002	Rear Housing
3	1	7005-0003	Front Seal Retainer
4	1	7005-0004	Check Valve Housing
5	1	7005-0005	Rotor
6	1	7005-0006	Lock Valve Body
7	1	7005-0007	Thrust Bearing Retainer
8	1	7005-0008	Adjustment Cover Plate
9	2	7005-0009	Link
10	1	7005-0010	Adjusting Block
11	7	7005-0012	Piston
12	1	7005-0013	Pintol
13	1	7005-0014	Shuttle
14	1*	7005-0015	Straight Shaft (Short)
14	1*	7005-0016	Straight Shaft (Long)
15	1*	7005-0017	Tapered Shaft (Short)
15	1*	7005-0018	Tapered Shaft (Long)
16	1*	7005-0019	Key (Straight Shaft)
17	1*	7005-0020	Key (Tapered Shaft)
18	1	7005-0021	Snap Ring Pin
19	2	7005-0022	Shoulder Bolt
20	1	7005-0023	Adjusting Screw
21	2	7005-0024	Pin

Model 7005 2-6in3 Variable Delivery Helm Pump

ITEM	QUANTITY	PART NUMBER	DESCRIPTION
22	2	7005-0025	End Cap
23	2	7005-0026	Ball Seat
24	1	7005-0027	Pin
25	1	7005-0028	Filler Plug
25	1*	7005-0029	Vented Filler Plug
25	1*	7005-0030	Filler Plug With Pipe Thread
26	2	7005-121B	Hex. Plug
27	7	1201-0163	Spring
28	7	1201-0164	Spring
29	2	1201-0165	Spring
30	7	1301-0108	Ball
31	7	1301-0116	Ball
32	2	1301-0112	Ball
33	1	7005-51112	Thrust Bearing
34	1	7005-51108	Thrust Bearing
35	1	7005-6006	Ball Bearing
36	7	1029-6037	Self Locking Retainer Ring
37	2	1029-1025	Snap Ring
38	4	1002-0810	Socket Head Capscrew
39	2	1002-1028	Socket Head Capscrew
40	15	1002-1010	Socket Head Capscrew
41	8	1009-0808	Flat Head Screw
42	1	1001-1216	Hex. Head Screw
43	1	1023-0248	Washer
44	1	7005-11130	Front Seal
45	2	1101-0010	"O" Ring
46	1	1101-0012	"O" Ring
47	2	1101-0011	"O" Ring
48	3	1101-0017	"O" Ring
49	7	1101-0022	"O" Ring
50	1	1101-0029	"O" Ring
51	1	1101-0032	"O" Ring
52	1	1101-0158	"O" Ring

* Quantity may vary.

7005 Mounting

