

Model 7004 Steering Helm Pump



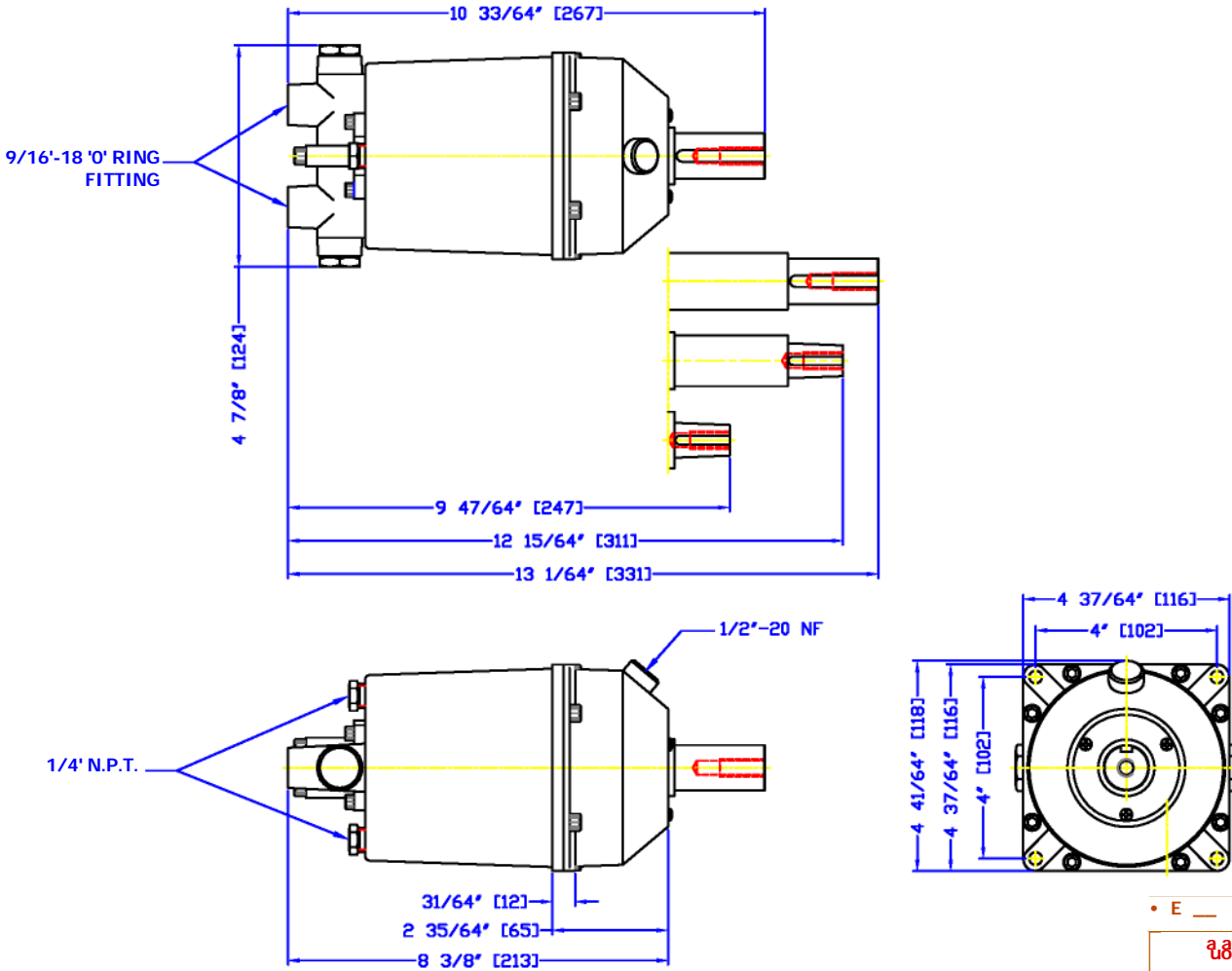
The Kobelt 7004 Helm Pump is constructed entirely in silicon bronze and stainless steel except for the bearings, pistons and pintol which are made of hardened and ground steel. This helm pump has the same design as the 7031 helm pump but the housing has been enlarged to accept the larger bores and pistons which increase the fixed displacement to 3.4 cubic inches or 4.5 cubic inches per turn.

Shown above is the model **7004-BNT**. It features a fixed displacement of 3.4 cubic inches per turn. The larger displacement makes this helm pump ideal for use with the 7050-B7.5 cylinder. With the 7050-B7.5 cylinder you can expect to get about 6 turns hardover to hardover. This figure is calculated with the cylinder set at 35 degree rudder angle. It comes with a short tapered shaft to fit the industry standard small boat steering wheels and black epoxy finish.

The 7004 helm pump is also available with a natural bronze finish and different shaft sizes. The shaft sizes available are short tapered shaft, long tapered shaft, short straight shaft or long straight shaft.

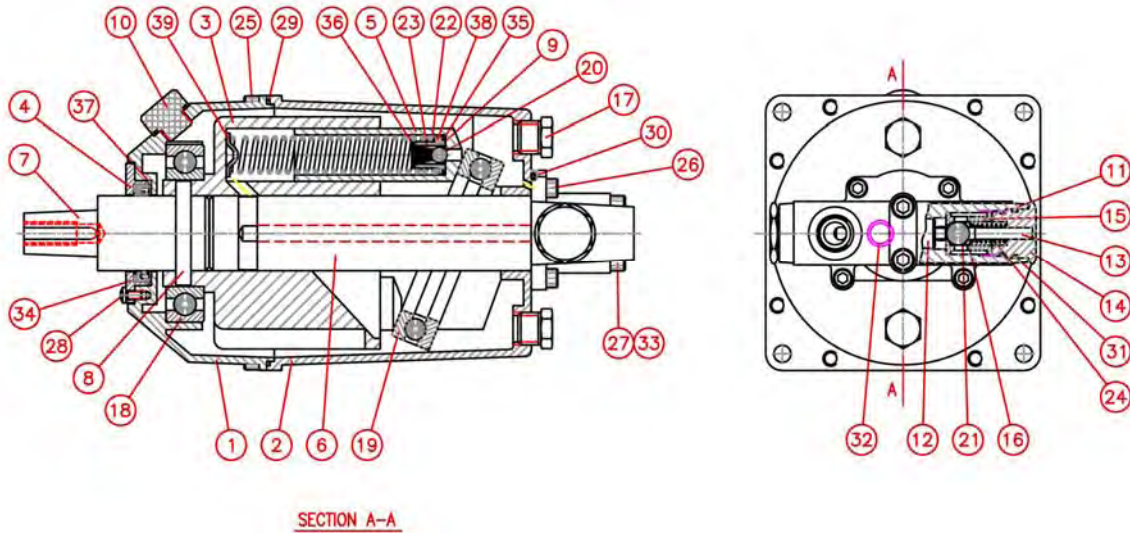
Dimensions for Model 7004 Helm Pump

All dimensions in inches (mm)



• E			
DATE	BY	DATE	BY
S.T. [unclear]	J.K. [unclear]	7004	HELM PUMP
SCALE	1:1	1/1	D-7004D

Parts List



ITEM	QTY.	PART #	DESCRIPTION	ITEM	QTY.	PART #	DESCRIPTION
1	1	7004-0001	Front Housing	18	1	7004-6009	Ball Bearing
2	1	7004-0002	Rear Housing	19	1	7005-5112	Thrust Bearing
3	1	7004-0003	Rotor – for 3.4 in. ³	20	7	1301-0108	Ball
3**	1	7004-0004	Rotor – for 4.5 in. ³	21	2	1301-0112	Ball
4*	1	7004-0005	Seal Retainer (old model)	22	7	1201-0208	Spring
4	1	7004-1005	Seal Retainer (new model)	23	7	1201-0163	Spring
5	7	7004-0006	Piston – for 3.4 in. ³	24	2	1201-0165	Spring
5**	7	7004-0007	Piston – for 4.5 in. ³	25	8	1002-1006	Hex. Socket Hd. Cap Screw
6	1	7004-0008	Pintol	26	4	1002-0808	Hex. Socket Hd. Cap Screw
7	1	7004-0009	Straight Shaft-Short	27	2	1002-1028	Hex. Socket Hd. Cap Screw
7**	1	7004-0010	Straight Shaft-Long	28	3	1012-0604	Pan Hd. Philip M. Screw
7**	1	7004-1009	Tapered Shaft-Short	29	1	1101-0046	O-Ring
7**	1	7004-1010	Tapered Shaft-Long	30	1	1101-0029	O-Ring
8	1	7005-0027	Pin	31	2	1101-0017	O-Ring
9	7	7004-0012	Ball Retainer	32	2	1101-0011	O-Ring
10	1	7003-0028	Filler Plug	33*	2	1101-0010	O-Ring
10**	1	7003-0029	Vented Filler Plug	34	1	1102-4021	Oil Seal Unit
11	1	7004-0013	Lock Valve Body (old: 7005-0006)	35	7	1101-0014	O-Ring
12	1	7004-0014	Shuttle	36	7	1029-6037	Self Locking Retaining Ring
13	2	7004-0015	Pin	37	1	1101-0030	O-Ring
14	2	7004-0016	End Cap	38	7	1023-0214	Washer, 0.622"x0.445"x0.030"
15	2	7005-0026	Ball Seat	39	7	7003-0032	Spring Seat – 7/8" Piston
16	2	7005-0031	Spring Seat	39*	7	7005-0032	Spring Seat – 1" Piston
17	2	7005-121B	Hex. Plug				

* Item Not Shown

** Optional