

Model 2091 Two Station, Single Lever Control



The 2091 master control heads feature a pull-out handle for overriding throttle. All models are entirely made of die-cast silicon bronze and stainless steel hardware and are backed up with our five year warranty.

The maximum clutch stroke is 2 3/4" (70mm) and the maximum throttle stroke is 2 3/4" (70mm). The various connection points provide the correct travel for your engine and gear.

The remote control head is Model **2093**.

Ordering Information

Model Designations:

Model 2091 (master): J,K,L,M,U,Y,Z

Adapter kits to connect clutch and throttle cables to the master control are ordered as follows:

Example

Standard 2009 single engine master control with chrome finish T-bar handle and riveted label, left hand. Ordering No. is 2091 KYZT

Note

Two cables per engine are required for interconnecting the master and remote station. These are 47 series pull/pull cables, and are available in even foot lengths from 8 to 30 feet. Control heads include all necessary parts to attached cables from the master station to the remote station.

Ordering Numbers

2091 - 0901 for 30 series cable

2091 - 0902 for 40 series cable

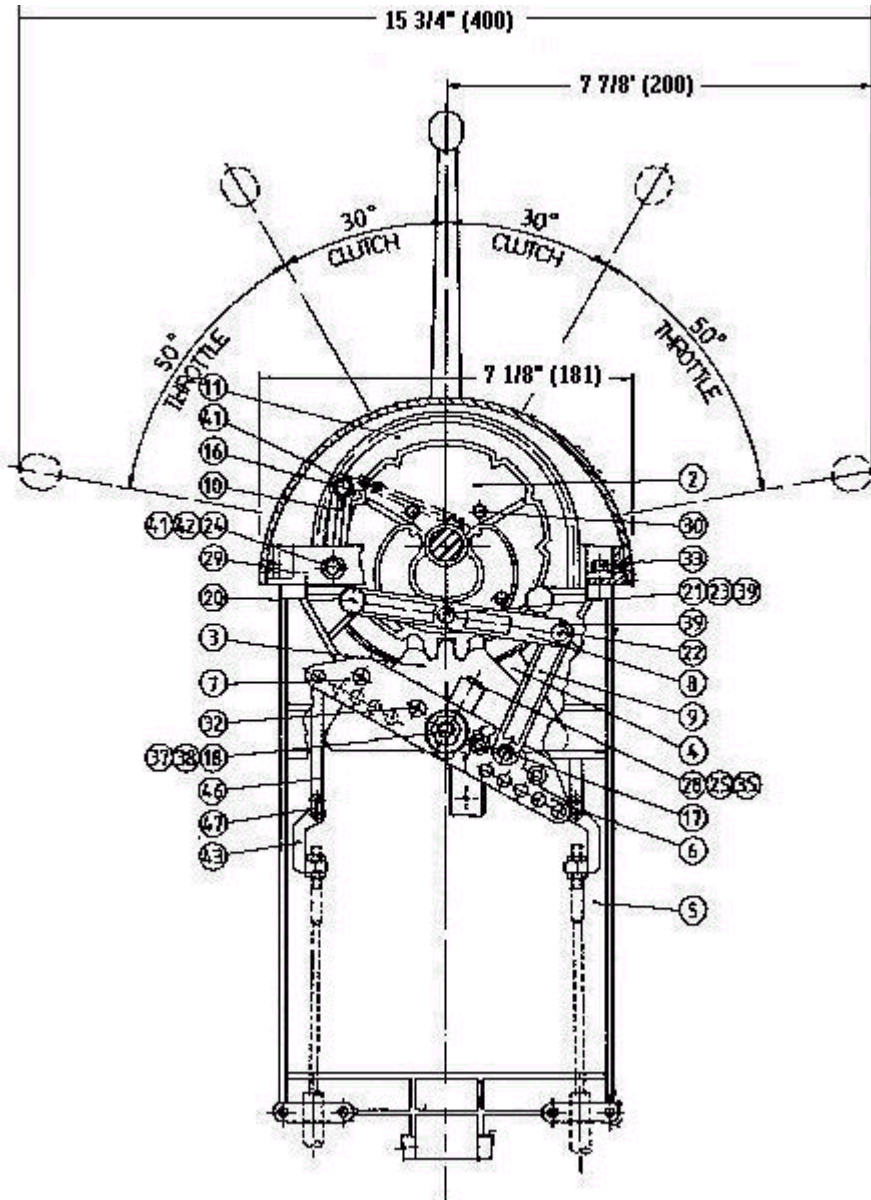
Patents

U.S. Patent Number 4280371

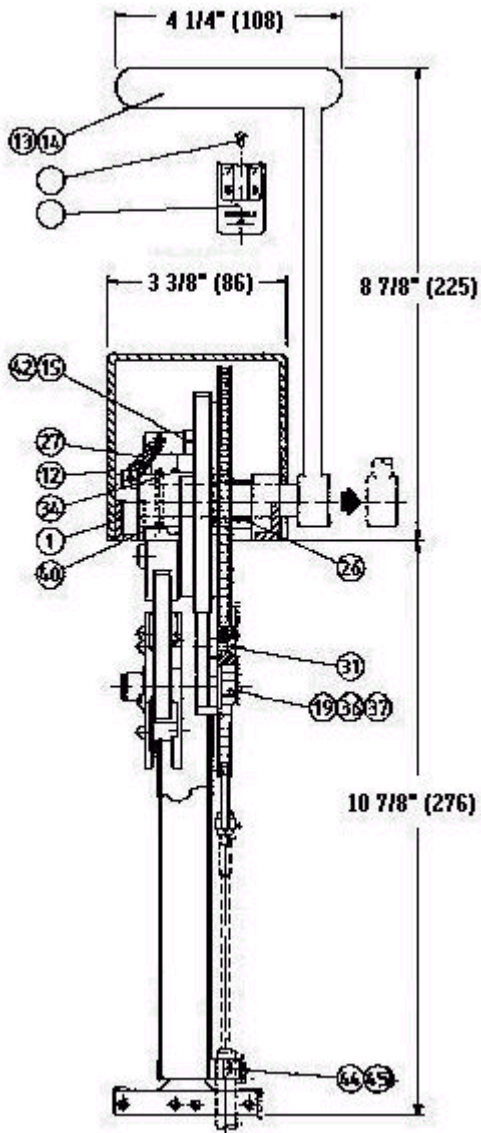
CAN. Patent Number 1158136

Dimensions and Parts

Side View



Front View



ALL DIMENSIONS IN INCHES (MM)

ITEM	QUANTITY	PART NUMBER	DESCRIPTION
1	1	2090-0001	Frame
2	1	2090-0002	Center Cam
3	1	2090-0003	Clutch Pivot Plate
4	1	2090-0004	Retainer Plate
5	1	2090-0005	Support
6	1	2090-0006	Throttle Pivot Plate
7	1	2090-0007	Retainer
8	1	2090-0008	Link No. 1
9	1	2090-0009	Link No. 2
10	1	2090-0010	Detent Lever

Model 2091 Two Station Single Lever Controls

11	1	2090-0011	Chain Sprocket
12	1	2006-0002	Dome
13	1	2090-0019	Handle (T-bar)
14	1	2090-0020	Handle (Curved)
15	1	2090-0013	Detent Roller
16	1	2090-0014	Snap Ring Pin
17	1	2090-0015	Pin
18	1	2046-0016	Throttle Bushing
19	1	2046-0017	Clutch Bushing
20	1	2046-0018	Shoulder Bolt
21	1	2046-0023	Pin
22	1	2046-0024	Pin
23	1	2046-0027	Throttle Roller
24	1	2090-0018	Snap Ring Pin
25	1	1201-0002	Spring
26	1	1201-0150	Spring
27	1	1201-0005	Spring
28	1	2542-0008	Friction Pad
29	2	1005-0808	Oval Hd. Screw
30	4	1009-0806	Flat Hd. Screw
31	3	1009-0808	Flat Hd. Screw
32	4	1010-0808	Round Hd. Screw
33	4	1002-1008	Socket Hd. Screw
34	1	1016-0804	Set Screw
35	1	1016-1204	Set Screw
36	1	1001-1136	Hex. Hd. Screw
37	2	1023-0238	Flat Washer
38	1	1022-0311	Locknut
39	2	1024-0508	Spring Pin
40	2	1024-0816	Spring Pin
41	2	1029-1025	Snap Ring
42	2	1029-2025	Snap Ring (Crescent Type)

CHAIN CONNECTION KIT

43	2	2090-0012	Cable-Chain Connector
44	2	2108-0001	Cable Clamp
45	4	1010-0808	Round Hd. Screw
46	1	2090-0016	Chain
47	2	2090-0017	Connecting Link

* Quantity may vary.

2091 "Cut-Out" Dimensions

