

Model 2047 Single Lever Control Head

Kobelt Manufacturing recently developed this control head as a smaller version of the 2048 and it incorporates all of the same features. The throttle travel is 2 3/8" and the maximum clutch travel is 3".

This unit is constructed entirely of bronze and stainless steel and offers a five year warranty. It can be used in either push or pull mode for the clutch or throttle. A roller type detent is incorporated into the 2047 as well as an independent throttle override.

The rugged construction of this model puts it in the top of the class. When comparing the value of this control with that of any other single lever control on the market, it is difficult to conceive why boaters would choose to purchase a cheaper substitute.

The 2047 will outlast most other products in the marketplace by a minimum of 2:1. This places our product among the most price effective and reliable controls of its kind.

Ordering Information

Model Designations:

| | | | |
|----------|-------------------------------------|----------|--|
| K | With chromed cover and handles | M | With black epoxy painted cover and chromed handles |
| L | With brass finish cover and handles | Z | With metal labels |

The standard model 2047 control head is supplied as follows:

1. With chromed cover and “U” handles (as shown).

To order, state Model Number followed by the desired Model Designation letter codes:

Example

A model 2047 control head chromes would be 2047-KU

Note

Cable connector kits are ordered separately. Each push pull cable end attached to the control head requires one kit.

Ordering Numbers

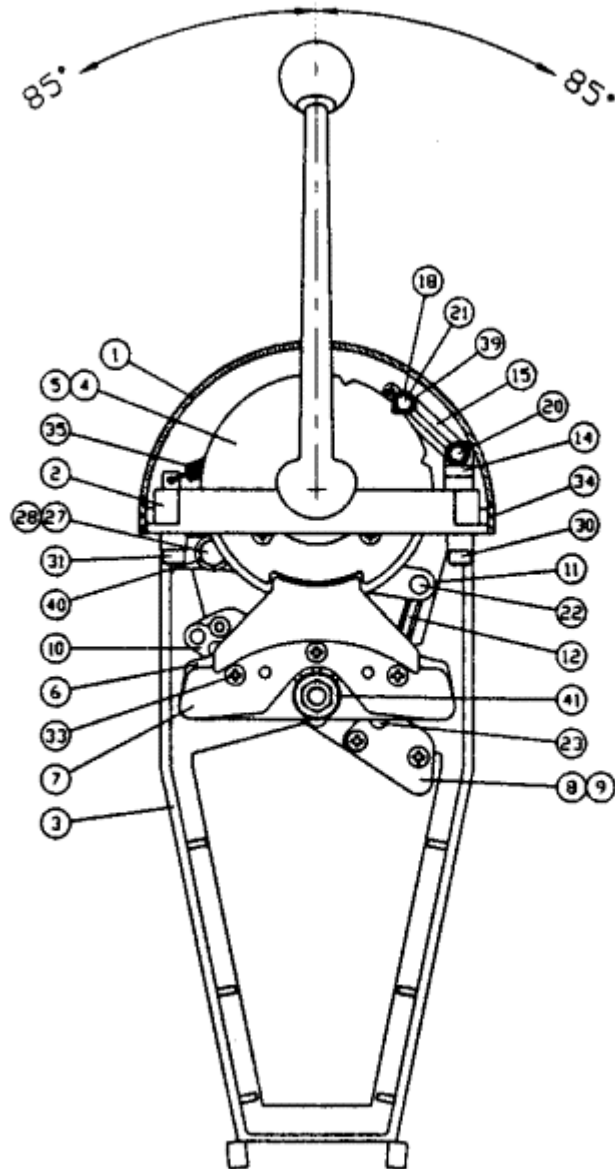
- 2047-0901T Kit for Throttle (30 series cable)
- 2047-0902T Kit for Throttle (40 series cable)
- 2047-0901C Kit for Clutch (30 series cable)
- 2047-0902C Kit for Clutch (40 series cable)
- 2047-0903 Neutral Safety Switch Kit

Important

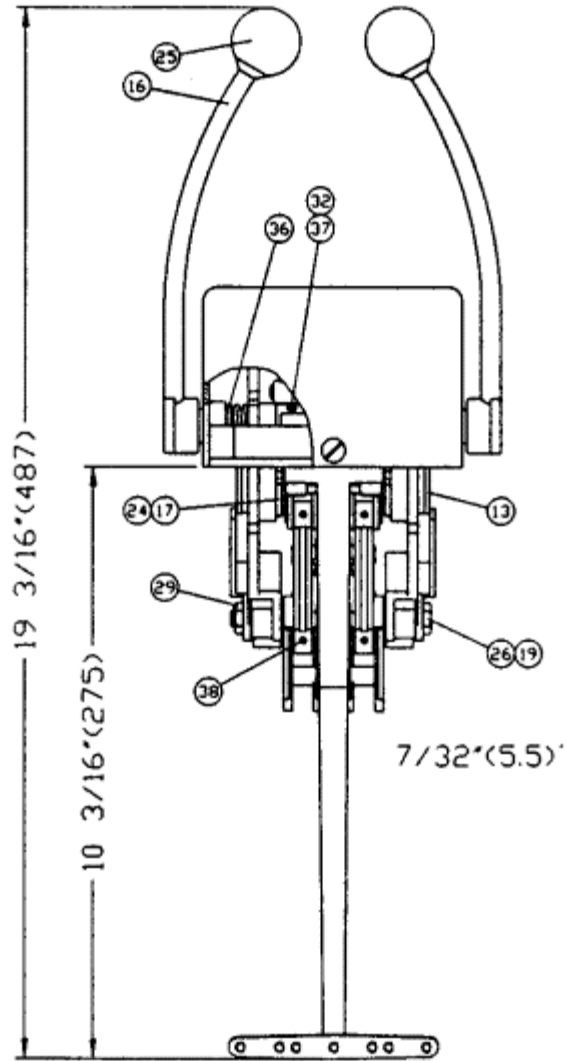
Model 2047 is designed to work as a single station unit only. If two stations are to be interconnected, transfer unit **MUST** be used.

Dimensions and Parts

Side View



Front View



ALL DIMENSIONS IN INCHES (MM)

| ITEM | QUANTITY | PART NUMBER | DESCRIPTION |
|-------------|-----------------|--------------------|---------------------------------|
| 1 | 1 | 2047-0001 | Dome |
| 2 | 1 | 2047-0002 | Frame |
| 3 | 1 | 2047-0003 | Support |
| 4 | 1 | 2047-0004L | Centre Cam |
| 5 | 1* | 2047-0004R | Centre Cam |
| 6 | 2 | 2047-0005 | Pivot Plate |
| 7 | 2 | 2047-0006 | Retainer |
| 8 | 1 | 2047-0007L | End Plate |
| 9 | 1* | 2047-007R | End Plate |
| 10 | 2 | 2047-0008 | Throttle Cam |
| 11 | 2 | 2047-0009 | Throttle Arm |
| 12 | 2 | 2047-0010 | Link |
| 13 | 2 | 2047-0011 | Cam Retainer |
| 14 | 1 | 2047-0012 | Pillow Block |
| 15 | 2 | 2047-0013 | Detent Arm |
| 16 | 2 | 2047-0014 | Handle |
| 17 | 2 | 2046-0027 | Throttle Roller |
| 18 | 4 | 2047-0015 | Bushing |
| 19 | 2* | 2047-0016 | Bearing |
| 20 | 1 | 2047-0017 | Snap Ring Pin |
| 21 | 2 | 2047-0028 | Snap Ring Pin |
| 22 | 2 | 2047-0019 | Solid Pin |
| 23 | 2 | 2047-0020 | Solid Pin |
| 24 | 2* | 2046-0023 | Solid Pin |
| 25 | 2 | 2030-0011 | Knob |
| 26 | 1 | 1001-1156 | Hex Bolt |
| 27 | 1 | 1001-1032 | Hex Bolt |
| 28 | 1* | 1022-0210 | Hex Nut |
| 29 | 1 | 1022-0311 | Hex Nut |
| 30 | 2 | 1002-1020 | Hex Socket Head Cap Screw |
| 31 | 2 | 1002-1010 | Hex Socket Head Cap Screw |
| 32 | 2* | 1016-0804 | Hex Socket Set Screw |
| 33 | 14 | 1009-0808 | Flat Head Philip Machine Screw |
| 34 | 2 | 1005-0808 | Oval Head Slotted Machine Screw |
| 35 | 2 | 1202-0002 | Spring |
| 36 | 2 | 1201-0204 | Spring |
| 37 | 2 | 1024-0816 | Spring Pin |
| 38 | 6 | 1024-0508 | Spring Pin |
| 39 | 6 | 1029-1025 | Snap Ring |
| 40 | 4 | 1023-0210 | Washer |
| 41 | 2 | 1023-0237 | Washer |

* Quantity may vary.

2047 "Cut-Out" Dimensions

