



Model 2046 Medium Duty, Single Lever Control Head

The control head 2046 was made for a marine environment and to give the boat owner years of trouble free service. Its compact and rugged design exceeds any competitive product in value and performance.

The control handle will engage the gear in either direction before throttle acceleration takes place. In order to warm up the engine without gear engagement, the control handle is pulled away from the dome approximately 1/4". This will disengage the clutch mechanism and will allow engine acceleration.

When the control handle is returned to neutral position, the clutch mechanism is automatically engaged.

The control head also provides a small detent in the full throttle position in one direction only (forward). This will prevent the engine from creeping back, which gives loss of RPM. By reversing the detent roller and spring assembly, the full speed detent can also be reversed.

Ordering Information

Model Designations:

H	With one neutral safety switch	L	With satin brass finish cover and handle.
K	With chrome finish cover and handle.	M	With Black epoxy finish cover with chrome handle.

The standard model 2047 control head is supplied as follows:

1. With chrome finish cover and handle.
2. Without neutral safety switch.

To order, state model number followed by Model Designation letter codes.

Example

A model 2046 control head with chrome finish would be 2046-K.

Note

1. Plastic labels are available to indicate Neutral, Forward and Reverse positions, as well as the speed scales. To order use Part No. 2046-0015
2. Cable connector kits are ordered separately. Each push pull cable end attached the control head requires one kit.

Ordering Numbers

2046-0901 No. 10-32 (30 Series)

2046-0902 1/4-28 (40 Series)

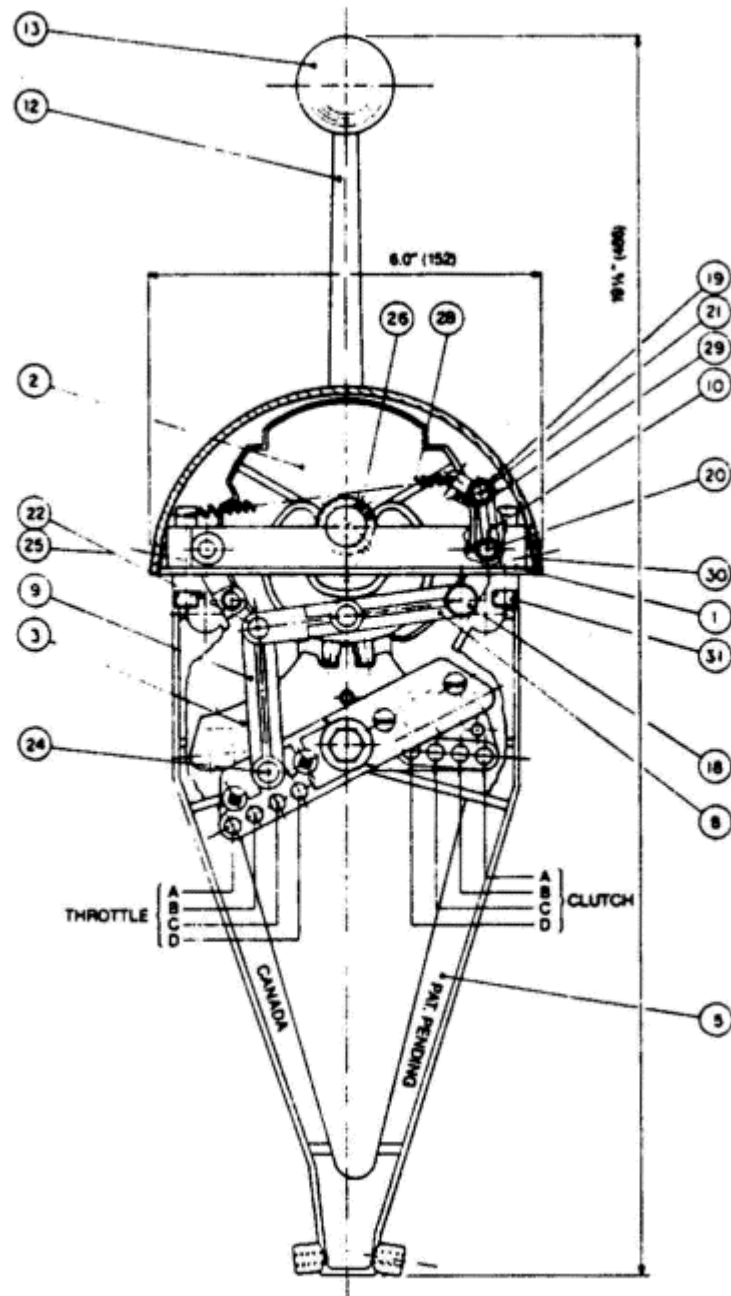
2046-0903 Neutral Safety Switch Kit

Weight

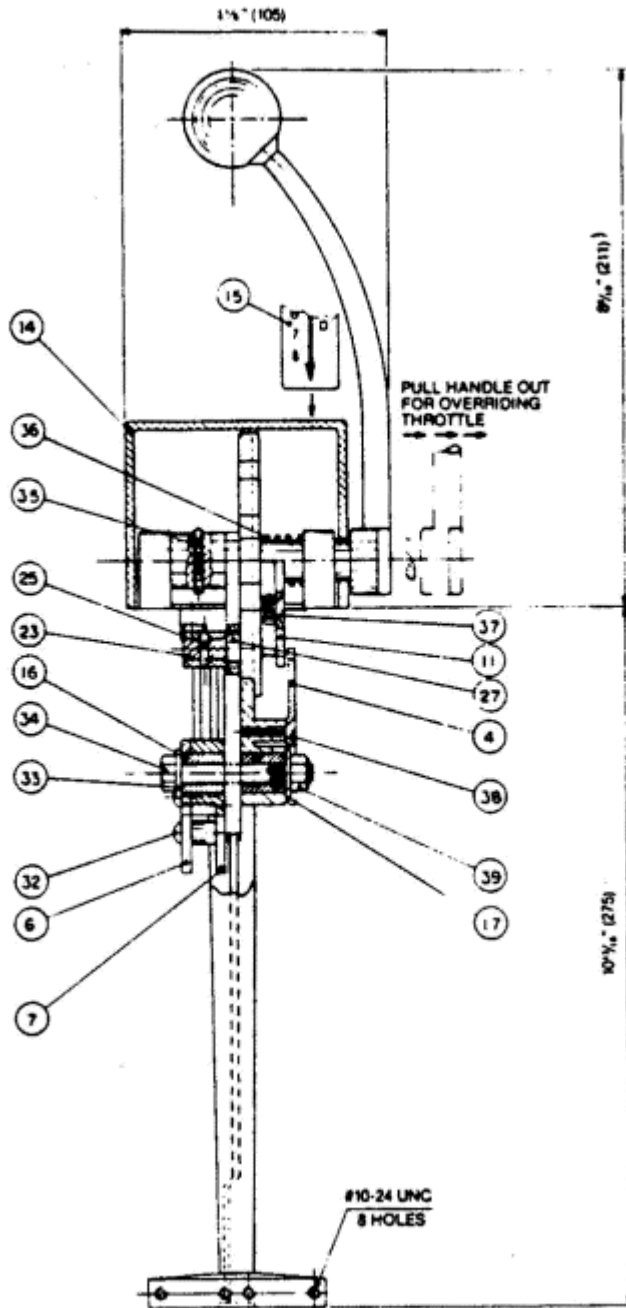
7.5 lbs. (3.4kg)

Dimensions and Parts

Side View



Front View



ALL DIMENSIONS IN INCHES (MM)

ITEM	QUANTITY	PART NUMBER	DESCRIPTION
1	1	2046-0001	Frame
2	1	2046-0002	Centre Cam
3	1	2046-0003	Pivot Cam
4	1	2046-0004	Retainer
5	1	2046-0005	Support
6	1	2046-0006	End Plate

Model 2046 Medium Duty, Single Lever Control Head

ITEM	QUANTITY	PART NUMBER	DESCRIPTION
7	1	2046-0007	Throttle Cam
8	1	2046-0008	Link No. 1
9	1	2046-0009	Link No. 2
10	1	2046-0010	Detent Lever
11	1	2046-0011	Cam Retainer
12	1	2046-0012	Handle
13	1	2030-0001	Knob
14	1	2004-0002	Dome
15	1	2046-0015	Name Plate
16	1	2046-0016	Throttle Bushing
17	1	2046-0017	Clutch Bushing
18	1	2046-0018	Shoulder Bolt
19	1	2046-0019	Roller
20	1	2046-0020	Frame Pin
21	1	2046-0021	Detent Link Pin
22	1	2046-0022	Link Pin
23	1	2046-0023	Link Solid Pin
24	1	2046-0024	Pivot Plate Pin
25	2	1024-0510	Spring Pin
26	1	1016-0804	Set Screw
27	1	2046-0027	Throttle Roller
28	1	1202-0001	Spring
29	4	1029-1025	Snap Ring
30	2	1005-0806	Oval Hd Mach. Screw Slotted
31	4	1002-1010	Socket Head Capscrew
32	4	1004-0806	Rd. Hd Mach. Screw Slotted
33	2	1023-0211	Washer
34	1	1001-1136	Hex, Head Capscrew
35	1	1024-0816	Spring Pin
36	1	1201-0108	Spring
37	2	1009-0804	Fit Hd Mach Screw Phillips
38	3	1003-0806	Fit Hd Mach Screw Slotted
39	1	1022-0311	Lock Nut

* Quantity may vary.

2046 "Cut-Out" Dimensions

