

## Model 2015 Two Handle Push Pull Control



This control incorporates all the features of the Kobelt standard Push Pull Control: 3" stroke, all bronze and stainless steel, and is extremely heavy duty construction. The cable support bracket has been shortened to improve access to the control head.

It is available with Kobelt T handles (shown) and curved handles with ball knobs. Safety neutral switch may also be added.

## Ordering Information

### Model Designations:

<b>A</b>	One short handle with friction and one long handle with detent	<b>L</b>	With polished brass finish cover and handles
<b>AA</b>	One short handle with friction and one long handle with friction	<b>M</b>	With black epoxy finish cover and chrome handles
<b>B</b>	Two long handles with detent	<b>U</b>	With curved handles and red or black knobs
<b>C</b>	Two long handles with friction	<b>V</b>	With red or black plastic grips
<b>D</b>	Two long handles with one detent and one friction	<b>L</b>	With polished brass finish cover and handles
<b>E</b>	Two short handles with detent	<b>M</b>	With black epoxy finish cover and chrome handles
<b>F</b>	Two short handles with friction	<b>U</b>	With curved handles and red or black knobs
<b>G</b>	Two short handles with one detent and one friction	<b>V</b>	With red or black plastic grips
<b>K</b>	With chrome finish cover and handles		

### Note

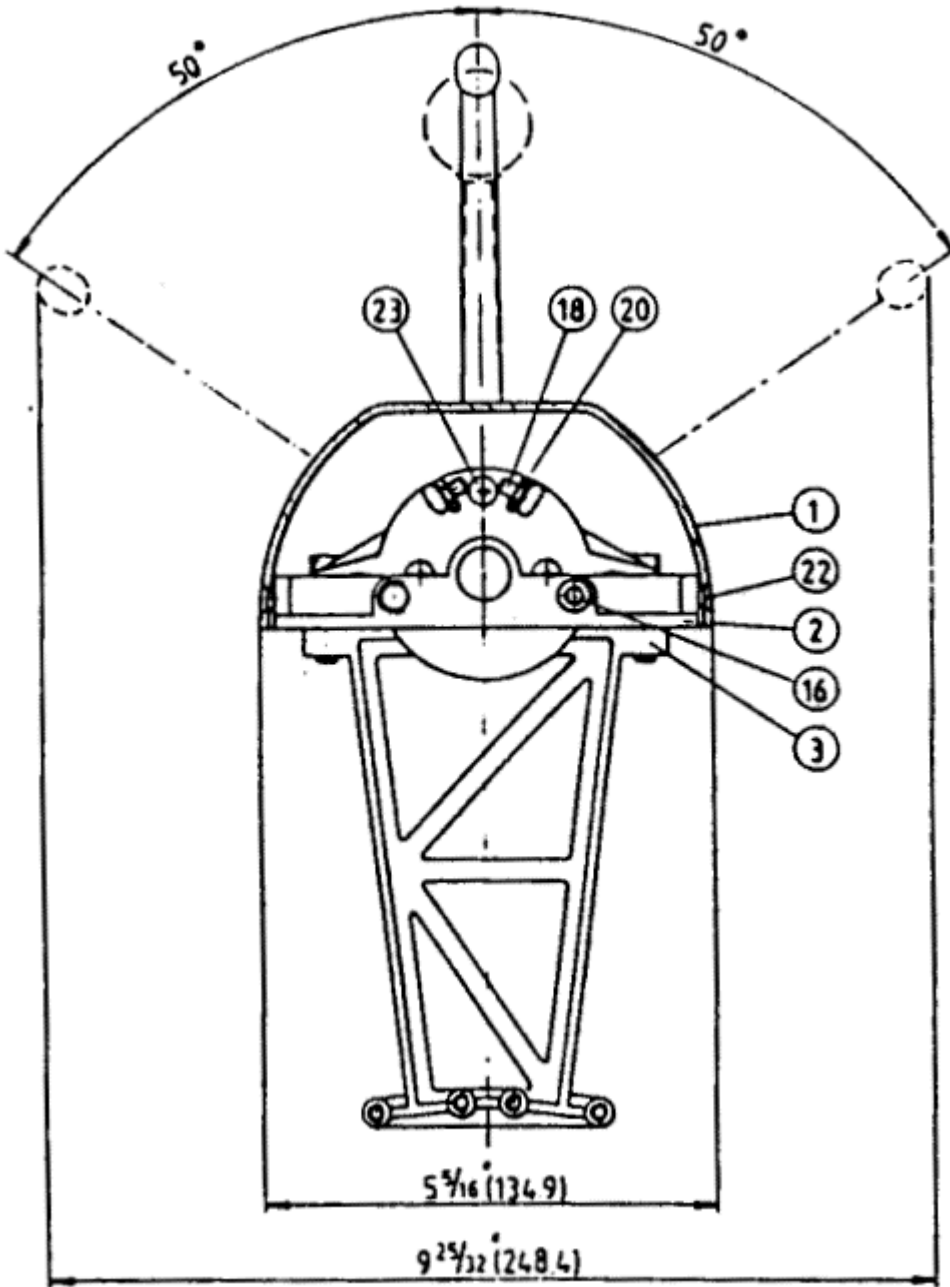
Cable connector kits are ordered separately. Each Push Pull cable end attached to the control head requires one kit.

### Ordering Numbers

2015-0901 Connection Kit (30 series cable) 2015-0902 Connection Kit (40 series cable)

## Dimensions and Parts

### Side View

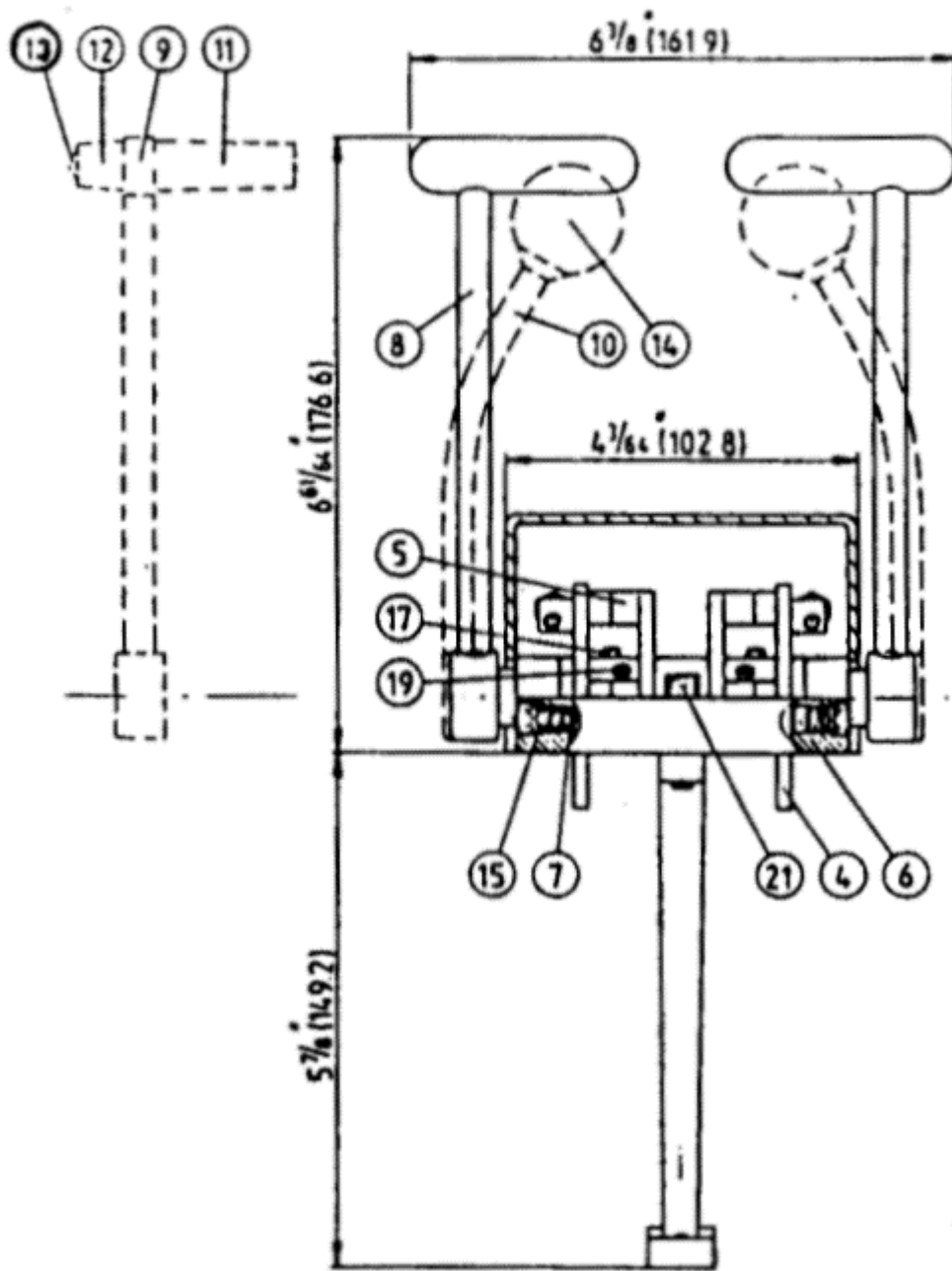


**ALL DIMENSIONS IN INCHES (MM)**

<b>ITEM</b>	<b>QUANTITY</b>	<b>PART NUMBER</b>	<b>DESCRIPTION</b>
1	1	2015-0001	Dome
2	1	2015-0002	Frame
3	1	2015-0003	Support
16	2	1016-1204	Hex. Socket Set Screw
18	4	1016-0808	Hex. Socket Set Screw
22	2	1005-0808	Oval Head M. Screw
23	6	1019-0808	Flat Hd. Philip M. Screw
22	2	1005-0808	Oval Head M. Screw

\* Quantity may vary.

Front View



**ALL DIMENSIONS IN INCHES (MM)**

<b>ITEM</b>	<b>QUANTITY</b>	<b>PART NUMBER</b>	<b>DESCRIPTION</b>
4	2	2015-0004	Cam
6	1	2016-0011	Friction
7	1	2009-0011	Detent
8	2*	2009-0015	Long Handle (Standard)
8	2*	2009-0016	Short Handle (Standard)
9	2*	2009-2015	Long Handle (Plastic Grip)
9	2*	2009-2016	Short Handle (Plastic Grip)
10	2*	2009-3015	Curved Handle
11	2*	2111-0001B	Plastic Grip (Black)
11	2*	2111-0001R	Plastic Grip (Red)
12	2*	2111-0004B	Grip End (Black)
12	2*	2111-0004R	Grip End (Red)
13	2*	1011-1028	Oval Head M. Screw
14	2*	2030-0011	Black Knob
14	2*	2030-0012	Red Knob
15	2	1201-0003	Spring
17	4	1016-0804	Hex. Socket Set Screw
19	4	1024-0816	Spring Pin
21	2	1002-0016	Hex. Socket hd. Cap Screw

\* Quantity may vary.

2015 "Cut-Out" Dimensions

